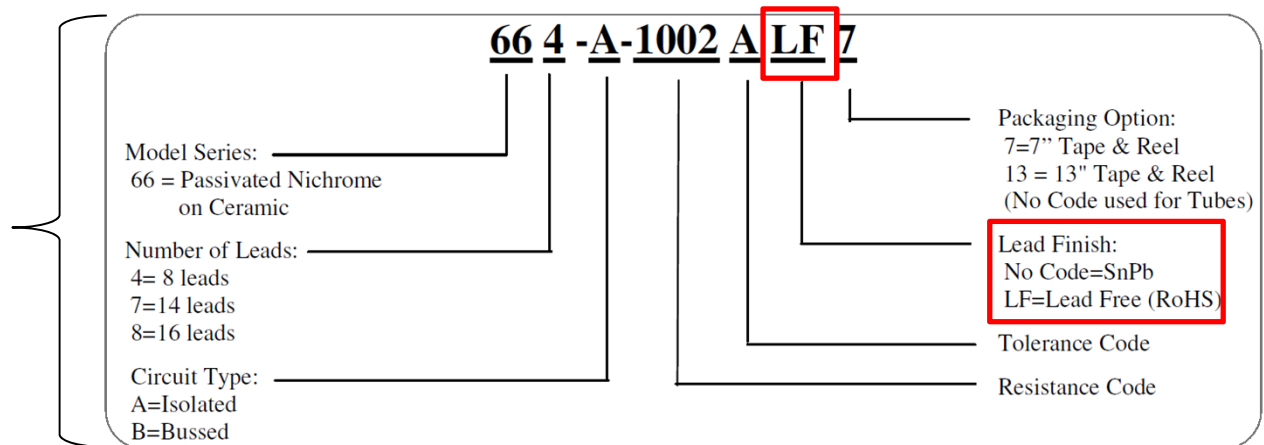


Example: Convert the following non-RoHS part numbers to RoHS part numbers:

664-A-1002A	Packed in Tubes
664-A-1002A7	Packaged in 7" Tape & Reel
664-A-1002ALF13	Packaged in 13" Tape & Reel

Hint: Consult ordering information available on datasheets*



Non-RoHS Compliant Part Number	RoHS Compliant Part Number	Comment
664-A-1002A	664-A-1002ALF	For parts packaged in tubes, add LF to the end of the part number
664-A-1002A7	664-A-1002ALF7	For parts packaged in 7" or 13" tape & reel, insert LF prior to the tape & reel designator
664-A-1002A13	664-A-1002ALF13	

*Datasheets including ordering information are available at <http://www.bitechnologies.com/products/passive.htm>.