

05.06.2015

Produktänderung Neues Elektrodendesign bei EF-Serie von EPCOS 2-Elektroden-Ableitern

Bei den EPCOS 2-Elektroden-Ableitern der EF-Serie aus dem Werk in Xiaogan, China, wird das Design der Elektroden geringfügig abgeändert. Die Maße der Bauelemente bleiben dabei im Wesentlichen gleich. Darüber hinaus hat die Änderung der Elektroden keine Auswirkung auf die Verarbeitung der Bauelemente beim Kunden.

Betroffene Produkte

Bestellnummer	Typ
B88069X8651S102	EF2000X8S
B88069X8651T502	EF2000X8S
B88069X5690T502	EF2500X
B88069X5690S102	EF2500X
B88069X3383C103	EF2500XNTP
B88069X1583S102	EF2500X8S
B88069X1583T502	EF2500X8S
B88069X9381S102	EF2500X8S
B88069X9381T502	EF2500X8S
B88069X8661T502	EF2500X8S
B88069X8661S102	EF2500X8S
B88069X3273S102	EF2500X8S
B88069X3273T502	EF2500X8S
B88069X8671T502	EF2700X8S
B88069X8671S102	EF2700X8S
B88069X2013T502	EF3000X8S
B88069X2013S102	EF3000X8S
B88069X7851S102	EF3200X8S
B88069X7851T502	EF3200X8S
B88069X8691T502	EF3300X8S
B88069X8691S102	EF3300X8S

Veränderungen an der Elektrode

Beschreibung	Bisher	Neu
Elektrodenkalotte	Ø 3,9 mm Ø 5,9 mm	Ø 2,8 mm Ø 5,2 mm

EPCOS AG · A TDK Group Company

Besucher: St.-Martin-Straße 53, 81669 München · Post: PF 80 17 09, 81617 München, Deutschland

Sitz der Gesellschaft: München · Registergericht: Amtsgericht München HRB 127250

Vorsitzender des Aufsichtsrats: Dr. Werner Faber

Vorstand: Joachim Zichlarz, Vorsitzender · Joachim Thiele · Dr. Norbert Hess · Christian Block

www.epcos.com

Ableiter

Intern / Extern

150605AB1g

05.06.2015

Das neue Elektrodendesign verbessert die elektrische Leistungsfähigkeit der betroffenen Ableiter. Typenbezeichnungen, Bestellnummern und Lieferzeiten bleiben unverändert.

Die Qualifizierung wurde gemäß der internen Green-Light-Richtlinien erfolgreich durchgeführt.

Geplante Einführung: 5. September 2015

Anlage PCN (ID No. PPD05/ T120)
Comparison of old and new electrodes

Kontakt Wong Huan Chee, PPD AB PM, Johore Bahru

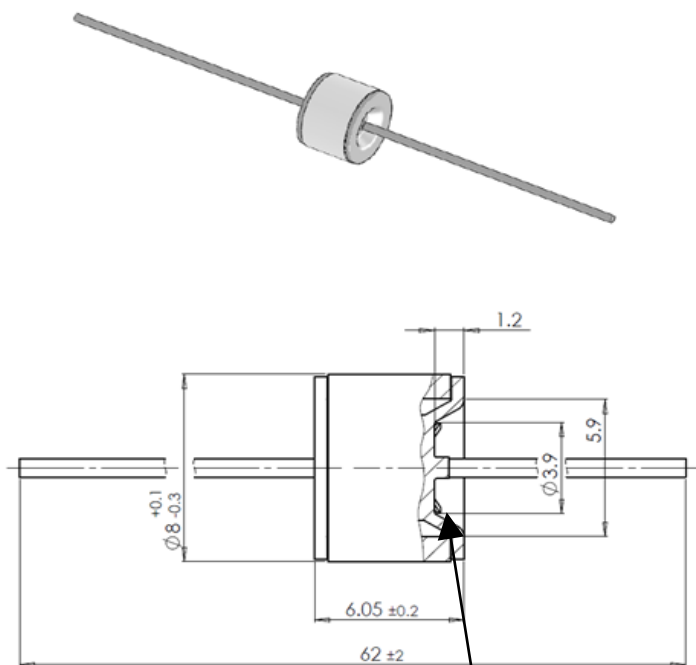
Kunden wenden sich bei Fragen bitte direkt an ihren Ansprechpartner im Vertrieb.

Product / Process Change Notification

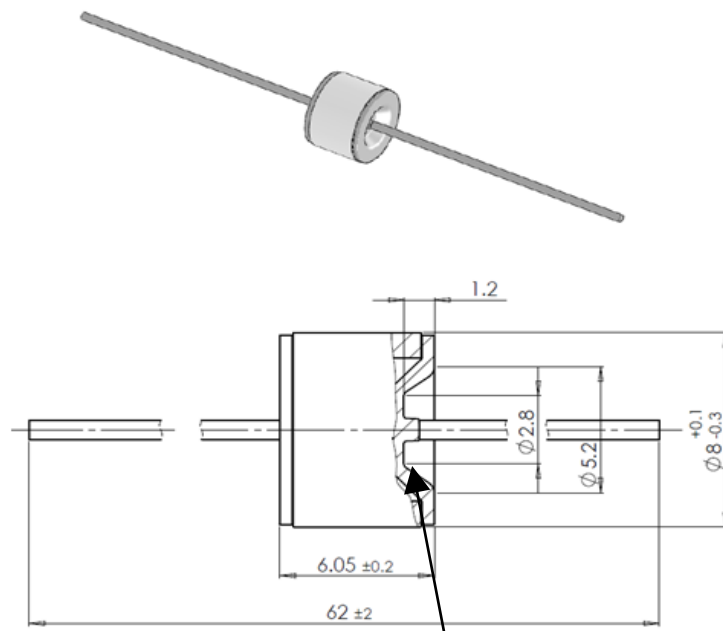
1. ID No.: PPD05/ T120		2. Date of announcement: June 5, 2015	
3. Product / product group: EF series of EPCOS 2-electrode surge arresters	Old ordering code: see UPtoDATE	New ordering code:	Customer part number:
4. Description of change: The design of the electrodes will be slightly changed. The dimensions of the component remain unchanged, except for minor modifications to the calotte of the outer electrode. The aim of the new electrode design is to further improve the electrical performance of the product (see drawing for details).			
5. Effect on the product or for the customer (benefit, quality, specification, lead time): The electrical performance will be improved and the mechanical characteristics will not be affected by these changes. The product specification defined in the data sheet, as well as the form, fit and function will be fulfilled and do not deviate from the current production.			
6. Quality assurance measures / risk assessment: The qualification is in accordance with our internal green-light quality procedure. The investigations for internal release showed no effects on the electrical and mechanical characteristics as a consequence of the change described in item 4. The established control plans will consequently not be changed. All quality assurance measures will be maintained.			
7. Scheduled date of change: September 5, 2015			
8. Estimated date of first delivery of changed product: September 5, 2015 If EPCOS does not receive notification to the contrary within a period of 10 weeks, EPCOS assumes that the customer agrees to the change. For an interim period we cannot rule out that old as well as new products will be shipped.			
Quality Management Name Markus Weiglhofer		Signature signed Weiglhofer	
Product Marketing Name Wong Huan Chee Tel. +607 3566 666 Email huanchee.wong@epcos.com		Signature signed Wong	
Customer feedback			
Customer acknowledgement		Signature	

**Annex to UPtoDATE 150605AB1 of June 5, 2015 /
New electrode design for EF series of EPCOS 2-electrode surge arresters**

Comparison of old and new electrodes



Old electrode design



New electrode design