



Part Change Notice

10/20/14

Company: KYCON, Inc.
1810 Little Orchard St.
San Jose, CA 95125
USA
408-494-0330

RE: Kycon PN: KDMI42X-FS2-WS-B15

Kycon has made an improvement to the KDMI42X-FS2-WS-B15. The upper connector has been upgraded to insert-molded style single-piece contacts which will promote better reliability and performance.

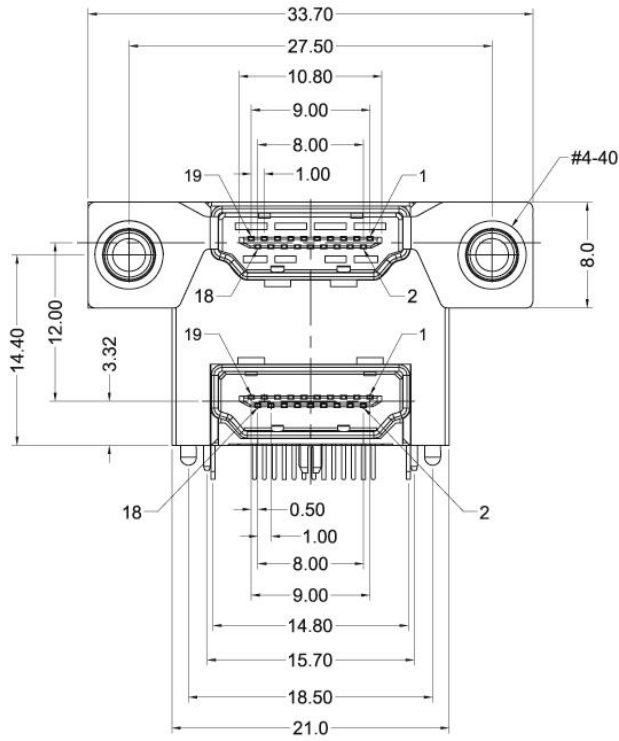
New production is scheduled for November 2014 and samples will be available mid to late November. We will accept a last time buy of the current version through 10/31/14.

If you require samples, please request from your sales representative.

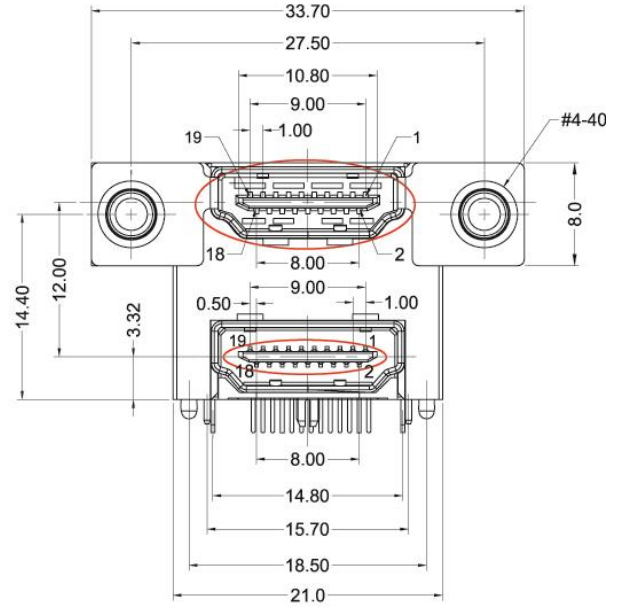
Signature: 

Name: Jill Scarnecchia Phone: 408-494-0330

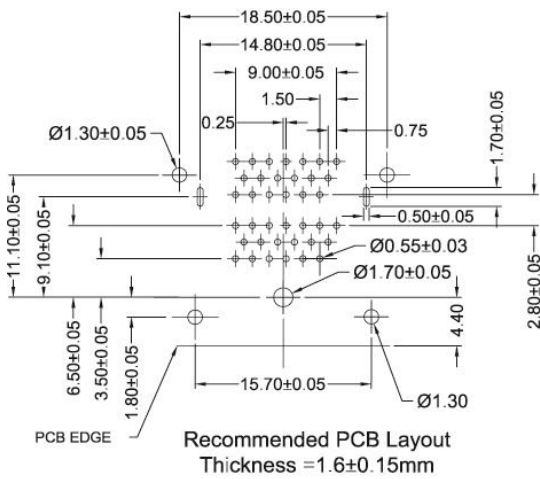
Old Design Front



New Design Front



Old Design PCB



New Design PCB

